

cocciné

SHOE CARE IS OUR PLEASURE



SHOE CARE | INSOLES | ACCESSORIES



cocciné

premium

Cocciné is a Polish brand of footwear accessories and cosmetics. We are a family-run company from Mazovia Region, operating since 1996. Our mission is to ensure durability, safety and comfort of footwear. It is so because well-groomed shoes are not just a matter of the wallet: they are the owner's health and smaller heaps of waste.

COOPERATION AND ORDERING

When you are interested in our products please submit your order or question at dakoma@dakoma.com.pl. In addition, we are able provide our foreign partners with promotion materials, such as counter displays, as well as printed materials (catalogues, booklets, leaflets, gadgets), which help to serve customers more efficiently. We are flexible company and always open to new partners and modes of cooperation.

Export department:

+ 48 501 410 843
+ 48 692 483 882
export@dakoma.com.pl



CERTYFIKAT
NR 484932



Zoświadczamy i uznajemy, że System Zarządzania Jakością w organizacji

DAKOMA Sp. z o.o.
Turystyczna 12
05-462 Wiązowna
Polska

został zweryfikowany i stwierdzono, iż spełnia wymagania normy

ISO 9001:2015

do prowadzenia działalności w zakresie

**Projektowanie, produkcja, sprzedaż i dystrybucja
wyrobów do konserwacji obuwia i akcesoriów
obuwicznych.**

Niniejszy certyfikat został wydany pod numerem **484932** i jest ważny
od 1 lipca 2018 do 30 czerwca 2021. Data wydania pierwszego
certyfikatu 1 lipca 2013.

Approved by: Printed by:



kod weryfikacyjny: **52472501-F11**
Sprawdź ważność certyfikatu używając kodu na www.ll-c.net

LL-C (Certification) Czech Republic a.s. | Pubeřin 620/3, 196 00 Praha 8



DISPLAYS



ECO display for insoles or cosmetics

Code: 086/622/42C
Size: 66cm x 32cm x 24cm



Small "JULIA" metal display for insoles or cosmetics

Code: 622/37/07
Size: 66cm x 32cm x 24cm



Small "JULIA" metal display for insoles or cosmetics

Code: 622/37/06
Size: 66cm x 32cm x 24cm



"WIKTOR" display for laces

Code: 622/37/03
Size: 61 cm x 30 cm x 20 cm



"ADA" metal display with shelves or hooks

Code: 622/116
Size: 180 cm x 53 cm x 36 cm

More about shoe care on the blog:

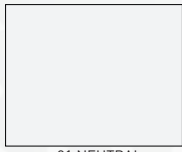


facebook.com/Coccine.inspiruje



instagram.com/coccineinspiruje

COLOUR CARD



01 NEUTRAL



03 WHITE



3542 SILVER



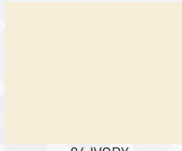
21 LIGHT GREY



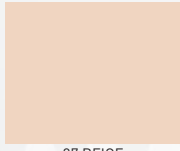
211 DARK GREY



02 BLACK



04 IVORY



07 BEIGE



3541 GOLD



06 AUSTRALIAN BROWN



39 NATURAL LEATHER



12 MID BROWN



72 CHAMPIGNON



14 BROWN



08 COGNAC



102 NEVADA



71 CHOCOLATE



19 DARK BROWN



26 RED



261 DARK RED



18 REDDISH BROWN



09 TRANDY BROWN



27 BORDO



23 PALISANDER



35 YELLOW



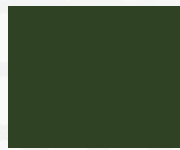
351 ORANGE



33 APPLE



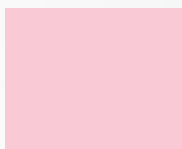
331 OLIVE



321 KHAKI



32 DARK GREEN



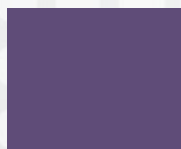
25 ROSE PINK



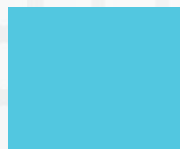
311 LILA



31 FUCHSIA



312 VIOLET



371 LIGHT BLUE



37 BLUE



38 NAVY BLUE



TABLE OF CONTENTS PART I : SHOE CARE

CLEANING
page 6

SUEDE & NUBUCK

SMOOTH LEATHER

ALL KINDS OF LEATHER



CARE
page 9

SUEDE & NUBUCK

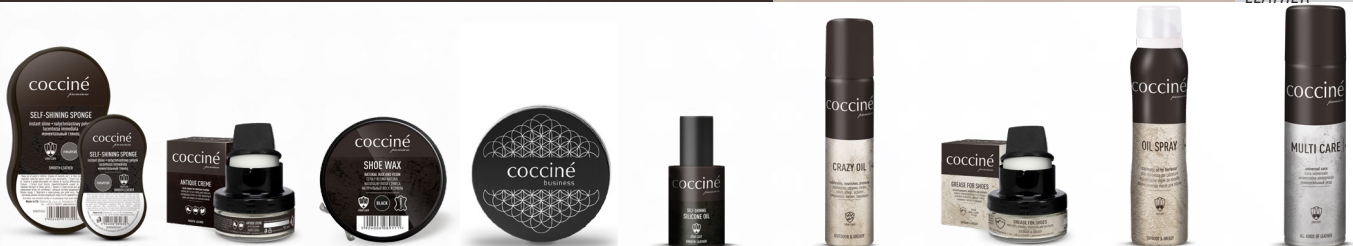
SMOOTH LEATHER



SMOOTH LEATHER

OUTDOOR & GREASY

ALL KINDS OF LEATHER



ARTIFICIAL AND PATTERN

SMOOTH LEATHER



RENOVATION
page 14

ALL KINDS OF LEATHER

ALL KINDS OF LEATHER

SHOE INSIDE
page 16



PROTECTION & WATERPROOFING
page 18



ALL KINDS OF LEATHER

COSMETICS - FOOT CARE



FOOT CARE
page 21



CLEANING

Clean shoes are essential. Care begins with the removal of dirt, dust, and old coatings. This is not yet sufficient to ensure durability, but without this stage there is no question of proper care.



SUEDE & NUBUCK

Nubuck Cleaner Super

Cleaning foam

Shampoo

Shoe shampoo



Dirty shoes? Safe and effective cleaning at your fingertips. Nubuck Cleaner Super foams abundantly, washing away dust and dirt from suede, nubuck and textiles. It offers perfect surface preparation prior to using care or colouring products. Convenient to hold, easy to use pump bottle. After cleaning, refresh the colour (nubuck and suede – using Ravnivant) and protect with Antiacqua water repellent so that they do not absorb dirt. PLEASE NOTE: It can lighten the shade of nubuck and suede leather.

Clean shoes all year round? It's possible! Fast and easy. The Shampoo cleans all kinds of leather and textiles. It is dedicated to removing difficult dirt from suede. You can open the bottle and pour the liquid into a large sponge, cloth or into a bowl of water and make a washing foam or use a suede sponge integrated in the bottle. After cleaning, be sure to refresh the colour (nubuck and suede – using Suede, grain leather – with Cream Elegance) and protect with waterproofer to preserve the colour. PLEASE NOTE. It can lighten the shade of nubuck and suede leather.

Code: 55/050/100C

Volume: 100 ml
box: 15 pcs

Code: 55/47/75C

Volume: 75 ml
box: 12 pcs

Leather Cleaner Super

Intensive cleaning foam



Harder dirt? We'll manage. Leather Cleaner Super foams abundantly, washing away dirt from shoes, as well as furniture, haberdashery or clothing made of smooth grain leather. Regular use ensures good absorption of preservatives. Used together with other leather care products, it allows you to maintain the surface properties of the leather for a long time. Easy to apply and distribute. In an efficient bottle with a foaming pump. After cleaning, it is necessary to apply appropriate care products (e.g. Cream Elegance), and finally protect with Multi Stop waterproofer.

Code: 55/051/100C

Volume: 100 ml
box: 15 pcs

Cleaning Wipes

Shoe wipes



Express handy solution. A convenient airtight packaging, containing 15 wipes, allows you to always have them at hand in the event of an emergency at work, in the car or at home. They remove dirt, dust and residues of other preparations from smooth surfaces. The tissue, soaked in a gentle cleanser, does will not alter the colour or other properties of leather. It leaves no streaks. Designed for shoes, car upholstery and cockpits, furniture, jackets and other leather products. Cleaning Wipes are a quick way to clean and shiny surfaces.

Code: 55/001/15C

Volume: 15 pcs
box: 60 pcs

Cleaning Wipe

Shoe wipe



Do you want to have clean shoes once you get to your destination? Put the Cleaning Wipes pouch in your pocket. Removes dirt, dust, grease and residues of other preparations from smooth surfaces. The tissue, soaked in a gentle cleanser, does will not alter the colour or other properties of leather. It leaves no streaks. Designed for shoes, car upholstery and cockpits, furniture, jackets and other leather products. The small unit package allows you to pack a wipe in your pocket, wallet, purse so that you can always have it at hand. Cleaning Wipes are a quick way to clean and shiny surfaces.

Code: 55/001C

Volume: 1 pcs
box: 1000 pcs

Code: 55/001/25C

Volume: 25 pcs
box: 1125 pcs

Multi Cleaner

Universal Cleaner



Cleans the leather surface (of shoes, handbags, cuffs, gloves, briefcases) from all kinds of dirt. At the same time, it preserves the natural properties of leather. It also removes old coatings of care products to prevent their build-up. It prepares the surface for new layers of pastes and creams. Simple and intuitive use thanks to the sponge integrated in the bottle. Particularly recommended for washing off snow mud containing salt – it does not leave white stains. Multi Cleaner takes care of the cleanliness and attractive appearance of shoes made of natural smooth leather (grain leather).

Code: 55/48/75C

Volume: 75 ml
box: 12 pcs

Nano Shampoo Foam

Cleans leather and textiles



Foam shampoo. The spray foam formula minimizes consumption and makes it easier to distribute the product. It also contains active nanoparticles. It foams abundantly, washing away any dirt without staining and soaking the surface. It provides a lightning-fast effect. Designed to clean all types of leather, including suede, nubuck, textiles and rubber. Nano Shampoo Foam is the cleaning power of nanotechnology. PLEASE NOTE. It may lighten the colour of the leather to be cleaned.

Code: 55/547/150C

Volume: 150 ml
box: 20 pcs

Inside Cleaner

Shampoo for sandals



Summer: heat, dust and open shoes. There is no other option, you have to clean them. Inside Cleaner washes away dirt and care product residues accumulated during use. It removes the remains of sweat and old epidermis from the feet. It also refreshes the original colour. In a comfortable to hold, easy to use, sponge bottle. Inside Cleaner will take care of the comfort and hygiene of your feet in open footwear.

Code: 55/49/75C

Volume: 75 ml
box: 12 pcs

CARE

Once the shoes are clean, you need to give them flexibility, appearance and durability. The right product should be selected according to the material, colour and your own preferences.



Suede

Refreshes the color and nourishes



Not the same colour anymore? During use, nubuck and suede as well as textiles become dusty and fade. Suede will refresh and even out the colour of nubuck and suede, restore vivid colour and protects against rapid fading and excessive dust settling. It does not block the migration of moisture to the outside, so that the foot is able to breathe and does not sweat excessively. In an easy-to-use plastic bottle with a special applicator that will not get your hands dirty. Suede nurtures the colours of suede and nubuck footwear, also in shoes with a TEX membrane. After care, use the Antiacqua waterproofer.

Code: 55/06/75C

Volume: 75 ml
box: 12 pcs

colours:



Ravvivant

Refreshes and nourishes (spray)



Has the colour faded or become dusty? Just spray. Large, high-capacity spray can. It restores the natural, vivid colour and the original „fluffy” effect of nubuck and suede. It does not block the migration of moisture to the outside, so that the foot does not sweat excessively and breathes through the leather of your footwear. Evenly applied, it supports the action of waterproofer and reduces water absorption. Available in 19 shades that colour intensely. Ravvivant nurtures the colours of suede and nubuck footwear, also in shoes with a TEX membrane. Let's not forget about waterproofing with use of Multi Block preparation.

Code: 55/59/250C

Volume: 250 ml
box: 20 pcs

colours:



Nano Ravvivant

Refreshes and nourishes (atomiser)



When the colour fades, you have to act. Pigment microbeads embed under pressure from the atomizer will form a tight layer on the surface of leather. Thanks to this, they not only refresh and even out the colour, but also protect against dust settling. The preparation restores the natural, vivid colour and the original „fluffy” effect of nubuck and suede. It does not block the flow of air through the leather. Available in a wide range of classically fashionable colours. Nano Ravvivant nurtures the colours of suede and nubuck footwear, also in shoes with a TEX membrane. All after-care shoes should be protected with Nano Strong Protection waterproofer.

Code: 55/19/75C

Volume: 75 ml
box: 12 pcs

colours: full palette

Nano Polish

Nanotechnology shine



Liquid smooth leather paste, when there is no time for polishing. Nano Polish quickly and easily gives high gloss to shoes made of smooth leather. The microparticles of the natural wax adhere to the smooth surface and bind quickly. They provide a long-lasting effect. Perfectly arranged in a micro-layer, they protect against rapid dust settlement and facilitate subsequent cleaning. Before the next application, remove old coatings with Multi Cleaner, and after drying, remember about protection against soaking – waterproofing.

Code: 55/30/75C

Volume: 75 ml
box: 12 pcs

colours:



Cream Elegance

Shoe care classic



The basics of grain leather care. Without a good cream, leather will lose its radiance, elasticity and shape. Cream Elegance strengthens and elasticizes smooth grain leather. It evens out the colour, while giving it an elegant, high gloss. It will leave a perfectly dry and smooth surface after polishing. Thanks to this, it retains its fresh appearance for a long time. Contains natural waxes and nutrients. Available in a wide range of colours, Cream Elegance is an absolute must-have in any shoe cabinet. The basics of shoe care all year round. After care, remember to protect with Antiacqua waterproofer.

Code: 55/26/50C

Volume: 50 ml
box: 12 pcs
colours: full palette

Forte Shine

Self-shining cream



Grain leather sometimes needs to shine. Forte Shine gives the footwear a high gloss effect and does not require labour-intensive polishing. Durable and resistant to water, mud, snow and sun. It makes restoring the effect after light soiling or soaking easy. Just wait for it to dry and vigorously polish the surface with a soft cloth, and the glow will return. The preparation is delivered in an easy to use glass jar with a sponge for its application. Forte Shine takes care of the professional image of smooth grain leather shoes. PLEASE NOTE. Do not use colourless on dark leather.

Code: 55/24/50C

Volume: 50 ml
box: 12 pcs
colours:
○ ● ● ●

Velvet Cream

Perfect care of delicate leather



The basis for the care of delicate and particularly demanding leather. Without a good cream, leather will lose its radiance, elasticity and shape. Velvet Cream lubricates, shines and cares for leathers that are difficult to care for – Velvet type, wiped, in unusual colours, e.g. graphite. It renders the leather more elastic and prevents the consolidation of wrinkles. The size of the tube with the applicator allows for a simple application of the shoe cream. To be polished. These leathers should always be protected with Nano Strong Protection waterproofer after care.

Code: 55/261/75/01
Code: 55/26/75 (colours)

Volume: 75 ml
box: 16 pcs
colours:
○ ○ ● ● ● ● ● ● ● ●

Nano Wax

Shoe care



New version of leather care cream for smooth leathers. Strengthens and elasticizes the leather. It gives it a deep shine and colour. Created on the basis of natural ingredients and nanotechnology. Microparticles of wax will adhere perfectly to the surface of smooth grain leather. Thanks to this, the effect of care treatments lasts much longer. Nano Wax supports the styling with a silky shine of colour. After the cream has dried, protect the shoes with Nano Strong Protection waterproofer.

Code: 55/27/50

Volume: 50 ml
box: 12 pcs
colours:
○ ○ ● ● ● ●

Self - Shining Sponge

Shoe sponge

Antique Creme

Delicate leather gel

Shoe Wax

Natural Care

Business Shoe Wax

Traditional shoe polish recipe



Lightning-fast effect. A sponge with glossing agent allows you to quickly achieve the glossy effect of shoes made of smooth leather. It instantly wipes away small dirt and glosses the smooth surface of grain leather. Enclosed in practical packaging for easy storage. The profiled shape strengthens the stability of the handle during use. Available in two sizes with a colourless and black glossing agent. Do not use on suede, nubuck or textiles. It may have a darkening effect on highly absorbent leathers and synthetics.



Delicate light leather scratches easily, absorbs water, is marked by every use? You have to take care of it. Antique Creme softens, gently shines and evens the leather. It does not change the texture and other properties of leather, it is suitable even for the most delicate shoes and leather goods, gloves, bags, antiquated leather folders (with an aged appearance). Can be used daily, or from time to time, for cleaning and waterproofing. After application and drying, lightly polish and then use a waterproofer to protect the leather. Antique Creme provides an excellent look and a fresh fragrance of footwear and clothing and accessories made of delicate leather.



For those who like traditional methods, the ritual of pasting and the shine of waxes emerging from under the brush – will appreciate Shoe Wax – a classic shoe polish. It perfectly hides minor damage to smooth grain leather and smooths its surface. It protects against dirt and water. Apply to leather first cleaned with Leather Cleaner Super. After drying, it should be polished with a horsehair brush, and an additional glow will be given by polishing with a Cocciné polishing glove.



Shoe polish in a screwed aluminum tin. The traditional formula contains wax and natural resins. It perfectly covers minor damage to the leather, smooths its surface and effectively protects against dirt and water. If properly applied and polished, it gives smooth grain leather shoes a deep colour and a mirror-like shine.

Code: 55/03/01C
box: 12 pcs

Code: 55/03/02C
box: 60 pcs

colours:
● ●

Code: 55/04/50/01C
Volume: 50 ml
box: 12 pcs

Code: 55/04/75/01C
Volume: 75 ml
box: 45 pcs
colour:
●

●

Code: 55/32/40C

Volume: 40 g
box: 6 pcs

colours:

● ● ● ●

colours available in a minimal order of 504 pcs

● ●

Code: 552/321/100

Volume: 100 ml
box: 24 pcs

colours available in a minimal order of 504 pcs

● ● ● ●

Silicone Oil

Płyn do gąbki samonabyszczającej
Sponge refill



A solution for those, who care for environment and their budget. Includes Self-Shining Sponge refill oil. The sponge is often still in good shape after the glossing agent is gone. Small, glass packaging that holds two refills. Easy to use.

Code: 55/09/10C

Volume: 10 ml
box: 60 pcs

colours:
○ ●

Crazy Oil

Olejek do obuwia
Oil for footwear



Where more care is required, because shoes are intensively used. Fat is the enemy of water and a friend of natural fibres – leather and wood. Oil penetrates deep into the leather and nourishes it, providing elasticity. It lubricates and protects against water soaking and stiffening. It also provides air permeability. Useful especially in winter – it protects against snow soaking into the leather of the shoes. It darkens and revives the natural colour. Enclosed in an eco-friendly atomizer can. Crazy Oil cares for oily leather shoes (sports shoes, mountain trekking shoes, winter shoes), but for protection against soaking, remember to additionally waterproof them with Tourist Water Stop.

Code: 55/14/75/01C

Volume: 75 ml
box: 12 pcs

Grease For Shoes

Tłuszcz odżywiający i ochronny
Renewing shoe grease



Where more care is required, because shoes are intensively used. Fat is the enemy of water and a friend of natural fibres – leather and wood. Oil penetrates deep into the leather and nourishes it, providing elasticity. It lubricates and protects against water soaking and stiffening. It also provides air permeability. Useful especially in winter – it protects against snow soaking into the leather of the shoes. It darkens and revives the natural colour. Enclosed in an eco-friendly atomizer can. Crazy Oil cares for oily leather shoes (sports shoes, mountain trekking shoes, winter shoes), but for protection against soaking, remember to additionally waterproof them with Tourist Water Stop.

Code: 55/29/50/C

Volume: 50 ml
box: 12 pcs

colours:
○ ● ●

Oil Spray

Natłuszcza i odżywia
Oils and nourishes



Autumn walks, rainy weather, weather changes: absorbent leathers need light grease that is easily absorbed, soaks up, evens out the colour. Liquid grease spray revives colour, gives elasticity. In the case of trekking shoes, it increases the terrain-related properties – protection of the feet against the cold. It darkens the colour, gives a matte effect. It can be used for textiles of TEX type. Oil Spray increases the comfort of hiking in trekking and winter shoes, but it is also worth remembering about regular waterproofing with Nano Strong Protection.

Code: 55/55/150/01C

Volume: 150 ml
box: 20 pcs

Multi Care

Universal care



Low on space in the cabinet for specialized products? Do you need something for everything? When applied evenly, Multi Care creates a protective layer against dust and fine dirt. It shines, restoring a vivid shade and fresh appearance. It eliminates minor scratches. Multi Care cares for and extends the life of footwear made of foiled, laminated, multi-coloured smooth, embossed and wiped leather and also of the delicate „crust” type leather.

Code: 55/531/250C

Volume: 250 ml
box: 20 pcs**Eko Polish**

Shine for artificial leather



The heavier wax preparations are not always suitable for faux leather. Sometimes they turn out to be completely unsuitable. Then it is safe to use Eko Polish. It cleans the surface quickly and easily. It also revives colour and gives shine without polishing. Before using on the footwear, clean it with a damp cloth and dry it. In a convenient to use bottle with applicator. Eko Polish gives an elegant glow to artificial leather shoes.

Code: 55/34/75C

Volume: 75 ml
box: 12 pcs

colours:

**Vernilux**

Patented leather spray



Does the varnish lose its gloss? Does it have scratches? It doesn't shine? Vernilux cleans a smooth surface of dirt and dust, shines and restores a vibrant shade of colour. It smoothes the surface and eliminates minor scratches caused by sand and dust. After application, spread the product with a soft cloth, rubbing it harder in scratched areas. Vernilux nurtures and extends the life of faux leather shoes. It is perfect for combination, „snake”, varnished and faux leathers.

Code: 55/53/250C

Volume: 250 ml
box: 20 pcs**Rubber Boot Care Spray**

Rubber care



Wellies have returned to favour, but we rarely know what shall we use to care for them. Rubber Boot Spray is applied with a thin polymer layer and it preserves the surface, protecting against rapid rubber aging and microcracks. Evenly applied, it deepens the colour. It protects against fading and leaves a slight shine. Rubber Boot Spray cares for and extends the life of wellies and other rubber boots.

Code: 55/532/250C

Volume: 250 ml
box: 20 pcs

RENOVATION

Leather has been a material used to protect our feet for millennia. However, it is not indestructible either. Signs of aging, abrasions, scratches, as well as the interior can be refreshed and renovated.



SMOOTH LEATHER

Leather Repair

Covering paint for leather corrector



Fills minor cavities. It permanently conceals scratches and abrasions. After drying, further layers can be applied. Available in multiple colours that can be mixed. Easy and intuitive to use. Apply to leather prepared with an abrasive pad, previously cleaned with Leather Cleaner Super or Multi Cleaner. Apply in very thin layers (even several times). You can then paste it. Leather Repair restores the charm of scratched grain leather shoes.

Code: 55/411/10C

Volume: 10 ml
box: 20 pcs
colours: full palette

Recolour Cream

Covering cream



Pigments stain better than dyes, so where shallow abrasions of the leather require better coverage – you need to use the Recolour Cream. It quickly masks small defects, shallow abrasions and signs of wear of grain leather shoes. It also evens the colour very well. It gives an elegant shine and a gentle grip. Its protective and nourishing effect lasts days. Recolour Cream nurtures the colours of formal and weekend shoes.

Code: 55/22/25/02C

Volume: 25 ml
box: 26 pcs

colours available in a minimal order of 500 pcs



Bianco

Covering white



White is quickly turning gray? Bianco is a must-have in every modern wardrobe. Just apply on the grayed-out sneakers a few minutes before leaving. It hides minor leather scratches and abrasions. Evenly applied, it restores pure whiteness. It can be applied in multiple layers. Once polished, it gives a delicate shine. Larger abrasions and scratches should be corrected with a Leather Repair retouch. Can be used on leather and densely woven textiles. Bianco restores whiteness, but to consolidate the effect, use the Multiblock protective preparation.

Code: 55/01/75C

Volume: 75 g
box: 12 pcs

colour:



Nero

Covering black



Are your black shoes not so black anymore? This is a common issue. Nero is a covering liquid paste. It hides minor leather scratches and abrasions. Convenient to use – the applicator ensures fast and even application. It restores deep black and shine. It can be applied in multiple layers. Once polished, it gives a delicate shine. Larger abrasions and scratches should be corrected with the leather repair retouch. Can be used on leather and densely woven textiles. Nero restores deep black to elegant slippers, but remember to protect them with a protective preparation – Multiblock.

Code: 55/02/75C

Volume: 75 ml
box: 12 pcs

colour:



Farben

Covering paint for leather



Does it seem that the shoe is irretrievably worn? Maybe you need a spray paint? Farben covers the leather surface with a durable layer of paint. It will cover abrasions, damage, defects on black grain leather footwear. It gives a vivid colour. Completely covers the leather. It creates an elastic coating, allowing the leather to work naturally. Use only on well-cleaned surfaces. Farben restores the colour of smooth grain leather shoes.

Code: 55/52/250/02C

Volume: 250 ml
box: 20 pcs

colour:



SHOE INSIDE

The inside of the shoe is often the cause of its rapid wear, sometimes the inability to wear it or simply pain and discomfort. Fortunately, there are methods to take care of it.



ALL KINDS OF LEATHER

Nano Deo Silver

Footwear deodorant



Uncomfortable situation in the office? Bad smell? It is worth taking care of the inside of your shoes. Nano Deo Silver instantly and effectively refreshes any type of footwear. Thanks to the silica content, it blocks the formation of unpleasant odours. Silver ions kill bacteria and fungi. It leaves a fresh, hygienic smell for a long time. It should be used regularly. After each use, leave the shoes for 12 hours for better effect. Nano Deo Silver will get rid of the unpleasant odour from any shoe, but the most important thing is the regular, complete drying of the inside of the shoe. This hinders the development of microorganisms and permanently improves hygiene. Use sanitary insoles, e.g. Aroma Silver.

Code: 55/54/75C

Volume: 75 ml

box: 12 pcs

Code: 55/54/150C

Volume: 150 ml

box: 20 pcs

Code: 55/54/400

Volume: 400 ml

box: 12 pcs

Deo Shoe

Footwear deodorant



Do shoes tend to have an unpleasant smell? The unique Deo Shoe technology protects shoes from unpleasant odours for a long time. A deodorant for regular use, with a fresh floral scent, designed for all types of footwear. Preparation in a can with an eco-friendly atomizer. Deo Shoe will take care of refreshing the interior of each shoe, but it is crucial to leave the shoes at rest to dry and use sanitary pads. Preferably slim Refresh Extra or comfortable Actifresh ones.

Code: 55/13/75/01C

Volume: 75 ml
box: 12 pcs

Color Stop

Prevents colouring



We remove the foot from the new shoe, and here appears a stained sock... There is a way to cope with that. Color Stop prevents staining of the shoes from the inside. It covers the shoe lining with a thin protective coating. It effectively eliminates the problem of dyed socks, tights and feet. Suitable for all leather types. Repeat the operation systematically. Color Stop will help preserve the natural colour of your feet and socks.

Code: 55/15/50/01C

Volume: 50 ml
box: 12 pcs

Shoe Stretcher Foam

Foam Stretcher for footwear



New shoes often require fitting, are abrasive or exercise excessive pressure. That's why we created the Shoe Stretcher Foam. The product softens and makes every type of footwear leather more elastic, thanks to which it adapts to the foot more easily. Prevents cracking of the grain. The foam is easy to apply precisely to the area requiring stretching. The product should be sprayed on the inside of the shoe and left to dry on the leg or a properly selected rule. Repeat until the desired shape is obtained. Shoe Stretcher Foam shapes shoes so they don't hurt your feet. Apply Cocciné gel protectors to particularly abrasive areas.

Code: 55/51/75C

Volume: 75 ml
box: 12 pcs

Shoe Stretcher

Helps stretch leather footwear



At home, we sometimes discover that new shoes do not fit perfectly. If you need to quickly adjust the shoes to the shape of the foot – sometimes a few hours are enough... Shoe Stretcher softens and elasticizes every type of leather, making it easier to fit and stretch it to match your foot. The product should be sprayed on the inside of the shoe and left to dry on the leg or a properly selected rule. Repeat until the desired shape is obtained. Efficient packaging. Shoe Stretcher takes shoe comfort to a new level.

Code: 55/11/75/01C

Volume: 75 ml
box: 12 pcs

PROTECTION & WATERPROOFING

Prevention is better than cure. Once protected from moisture, water, dirt and dust, the shoes will keep your feet dry and last much longer. These are the goals of waterproofing.

ALL KINDS OF LEATHER, TEXTILES

Multiblock

Protects against dirt and colour fading



„Prevention is better than cure” relates to our health. The same goes for shoes. Multiblock reduces settling and ingress of dirt, making it easier to remove stains. It does not block the migration of air and moisture to the outside. Recommended for shoes, gloves, external clothes, bags and backpacks, garden equipment made of bright and colourful fabrics, nubuck and suede leather. It does not contain fluorine-derived PFOA and PFOS. The effectiveness of UV protection was confirmed by laboratory tests. Protect new shoes, handbags, jackets, etc. before you go out for the first time.

Code: 55/571/250C

Volume: 250 ml
box: 20 pcs

Multi Stop

Protects against rain, dust and dirt



Summer, dust and dirt. Every object gets soiled. Ease of cleaning and degree of soiling will depend on how it is protected.

Multi Stop sprayed on shoes, hats, gloves or bags creates a waterproof coating that also protects against dust. It reduces susceptibility to dirt and water absorption. The leather or textiles can still breathe freely. Protect any new shoes, handbags, jackets, etc. before you go out for the first time and they will last longer.

Code: 55/57/250C

Volume: 250 ml
box: 20 pcs

Antiacqua

Waterproof for leather and textiles



No. 1 on the market: classic waterproofer.

Rain, snow, mud, dew, frost or storm forecast: water threatens shoes at any time of the year. Regular waterproofing not only cares for dry feet, but also for the condition of the footwear. Antiacqua covers the outer surface of the footwear with a waterproof layer. It does not reduce permeability for air and moisture from the inside of the footwear. Efficient packaging. Waterproofing of new footwear prolongs its fresh appearance and protects it against dirt penetration into the leather.

Code: 55/58/150C

Volume: 150 ml
box: 20 pcs
colour:



Code: 55/58/250C

Volume: 250 ml
box: 20 pcs
colours:



Nano Strong Protection

The best waterproofer



Mushroom picking, trekking, long walks, waiting at a bus stop, a trip to the mountains, snowfall – these will require particularly effective protection for your shoes. Nano Strong Protection is a maximally efficient preparation for effective protection of all types of leather (suede, nubuck, grain leather, oiled) and all types of textile materials from soaking. Provides hours of water protection even for the most absorbent materials. The water will wash down the protected surface leaving no stains. The large can allows you to secure even large surfaces (coat, umbrella, roof of your convertible car). Nano Strong Protection effectively protects against soaking. Use regularly.

Code: 55/583/400C

Volume: 400 ml
box: 12 pcs

Tourist Water Stop

Protects against drenching



As tourists, we rely on equipment: jackets, shoes, tents, umbrellas, and they need waterproofing. Tourist Water Stop protects them against soaking. At the same time, moisture will be able to get out, so the material does not get wet from underneath. The efficient can allows for regular repetition of the waterproofing process. Tourist Water Stop requires regular use.

Code: 55/581/400C

Volume: 400 ml
box: 12 pcs

FOOT CARE

Healthy, well-groomed feet are not just a matter of appearance. They also mean comfort and durability of footwear, social issues and, above all, well-being.



Silky Fresh

Silk spray



Shoes without socks? Espadrilles, ballerinas, sandals... They require a delicate, invisible barrier. Silky Fresh contains natural silk extracts. Applied to the skin of the feet, it creates an invisible, satin cover. It effectively protects against painful abrasions and blistering. Provides long-lasting protection against sweat. The silky and fresh feeling on the skin and the beautiful smell last for several hours. Silky Fresh provides comfort like silk stockings in the warm season. Use together with Coccine gel products (brake, heel counters, heel pads).

Code: 55/61/100C

Volume: 100 ml
box: 30 pcs

Deo Feet

Foot deodorant



Feet in closed shoes for hours? High sweating? Deo Feet effectively prevents excessive sweating. It has an antiperspirant effect and it also neutralizes unpleasant odours. It refreshes and dries the feet, as well as cools and relieves tired feet. It leaves a pleasant fresh scent and a feeling of comfort on the skin. It is worth using, and replacing the insoles of your shoes regularly – choose those from the Hygienic Coccine series.

Code: 55/601/100C

Volume: 100 ml
box: 30 pcs

Sunny Legs

Leg fluid spray



The first warm days are coming, you want to drop your pants, but your legs are still pale and look unattractive after winter? Sunny Legs masks skin imperfections by subtly covering freckles, cracked blood vessels or dull, too pale skin. Evenly applied, it creates the effect of naturally tanned legs. It leaves a smooth silky coating with a fresh, pleasant smell. It optically slims the legs. Easy to apply and wash off. It can stain white clothing – like fluid.

Code: 55/604/100C/CK
Code: 55/604/100C/JK

Volume: 100 ml
box: 30 pcs

colours:



Balm Feet

Softening and moisturizing lotion for cracking feet



Finally, it's time for sandals, and here's the trouble with your heels... The feet also require care in winter.

Balm Feet moisturizes and soothes irritations. It softens the epidermis, penetrates deeply and prevents cell keratosis. It inhibits moisture loss and has an anti-edema effect. It is especially recommended in summer for feet that have intensive contact with the sun, sand, stones and sea water. It can be used prophylactically to prepare the feet for the summer conditions after winter. Foam - convenient in application and efficient.

Code: 55/602/100C

Volume: 100 ml
box: 30 pcs

TABLE OF CONTENTS PART II : SHOE INSOLES

ELEGANCE page 24

ELEGANCE PECCARY page 26



HYGIENIC page 26



HYGIENIC



BASIC page 34



WINTER page 30



ECO page 33



HEEL PADS page 37



SEMI-INSOLES page 39



STOPPERS page 39



HEEL PROTECTORS page 40



INSOLES

Habit of using shoe insoles enables us to avoid many troubles: from the fit of the shoes, through hygiene and freshness, comfort and positioning of the foot in the shoe to the warmth and appearance of the interior.

ELEGANCE

Leather Adhesive

Leather self-adhesive



Insole made of pigskin, thin and delicate. It perfectly protects and refreshes the damaged lining of the shoe, and thanks to the bottom layer covered with adhesive, it perfectly adheres to the inside of the shoe. It fits formal shoes and any footwear that fits tightly to the foot. Once inserted into footwear with artificial lining, it immediately brings relief to the feet, eliminates burning and itching.

Leather on Latex



Leather insole on a layer of latex. Improves cushioning and insulation, increases walking comfort. It does not take up much space, so it is also suitable for tightly fitting footwear. Protects the lining of the shoe. The latex also contains the addition of activated carbon, ensuring footwear hygiene.



- ① LEATHER
- ② STICK

Code: 665/51 ●

Sizes: 36-46

Code: 665/51 ●

Sizes: 35/36-45/46

Code: 665/51/99C ●

Sizes: 35-46

Thickness: ≈0,8 mm

1 pair



- ① LEATHER
- ② LATEX

Code: 665/52 ●●

Sizes: 36-46

Code: 665/52/99C ●●*

Sizes: 36-46

Code: 665/522 (profiled)

Sizes: 24-35

Thickness: ≈2,6 mm

1 pair

*available in a minimal order of 500 pcs



Leather on Cork



Insole made of pigskin and natural cork. It perfectly protects and replaces the damaged lining of the shoe. The cork perfectly insulates and cushions, and also stiffens the insole, preventing it from sliding in the shoe. The cork has high compressibility and is resistant to heavy loads. Flexible, breathable and durable, it has antistatic properties. It improves comfort, warms and does not accumulate moisture, which is a source of unpleasant smell.

Smooth Comfort

Smooth and comfortable



Extremely elegant insole made of the highest quality sheepskin. Perfect for both formal footwear and everyday office shoes. Comfort is guaranteed by the Shock Absorber soft latex foam base, which absorbs shocks, protects joints and bones, and removes leg fatigue. Sheepskin ensures elegance and durability.

Antic Genuine Leather

Genuine cowhide



Insole made of noble, thick cowhide. Only vegetable tannins obtained from the bark of oak, willow and birch are used for its tanning. A characteristic feature of vegetable tanned leather are its high hygienic parameters and beautiful colour, from very light beige to brown. This insole perfectly replaces the lining of the shoe. Even after working in a standing position all day, your legs will not feel tired. Recommended for people who value the comfort of their feet and elegance in the shoe.

Leather Premium on Latex



Leather insole on a layer of latex with activated carbon. Improves cushioning and insulation. It protects the lining of the shoe, improves walking comfort. It has bacteriostatic properties. The natural leather is finished with an elegant velvet.



- 1 LEATHER
- 2 CORK

Code: 665/53 ●●*
 Sizes: 35/36-45/46

Thickness: ≈3 mm
 1 pair

* available in a minimal order of 500 pcs



- 1 LEATHER
- 2 LATEX

Code: 665/54
 Sizes: 35/36-45/46

Thickness: ≈2,8 mm
 1 pair



- 1 LEATHER

Code: 665/57
 Sizes: 35/36-45/46

Thickness: ≈2 mm
 1 pair



- 1 LEATHER
- 2 LATEX

Code: 665/59/19-35/99
 Sizes: 19-35

Thickness: ≈2,6 mm
 1 pair



Peccary on Cork



Insole made of the highest quality sheepskin and natural cork. It guarantees comfort thanks to the insulating and cushioning properties of the cork. Extremely durable and elegant. The colour and texture of sheepskin finished with a la peccary pattern makes it look great in even the most elegant footwear. Perfect for formal shoes. It covers and protects the lining of shoes, insulates, has an anti-static effect and does not accumulate moisture, which is a source of unpleasant smell.

Peccary on Latex



A very elegant insole made of the highest quality sheepskin finished with a la peccary pattern, perfect for formal shoes and everyday office shoes. Comfort is guaranteed by its base made of soft latex foam, elegance and durability – by sheepskin, and hygiene – the addition of activated carbon contained in latex, binding microorganisms.

Peccary Adhesive

Peccary glued on



Stylish insole made of the highest quality sheepskin, perfect for formal shoes and everyday office shoes. It is so thin, it will fit even in a well-fitting shoe. It has excellent hygienic properties. It increases comfort, hygiene, reduces foot fatigue resulting from contact with artificial materials. Recommended in the event of damage to the footwear lining, in order to prevent its wear or for insulation from the artificial interior of the footwear.

Aroma Silver Bioactive

Antibacterial with silver ions



An antibacterial insole, with a fresh scent, containing bioactive silver ions. Latex with special properties absorbs shocks, protecting joints and bones, as well as removing leg fatigue. Silver ions prevent the development of microorganisms, fight unpleasant odours, and are a natural battery for mold. The insole is recommended for physically active people, people performing physical work, overweight people, it is also perfect for sports, trekking, weekend shoes and in case of increased sweating of the feet. Thanks to the hem, it lasts longer and retains its shape.



- 1 LEATHER
- 2 CORK

Code: 665/50
Sizes: 35/36-45/46

Thickness: ≈3 mm
1 pair



- 1 LEATHER
- 2 LATEX

Code: 665/55
Sizes: 36-46

Thickness: ≈2,6 mm
1 pair



- 1 LEATHER
- 2 STICK

Code: 665/56
Sizes: 35/36-45/46

Thickness: ≈1 mm
1 pair



- 1 FABRIC
- 2 LATEX SHOCK ABSORBER

Code: 665/10 (trimmed)
Sizes: 35-46

Code: 665/101 (not trimmed)
Sizes: 35/36-45/46

Code: 665/10
Sizes: 47-48

Thickness: ≈3,5 mm
1 pair



Active Light

Lightweight for active



Insole made of recycled, profiled foam with antibacterial properties and a drying fabric. It protects the foot from cold and hard ground, cushions the forefoot, facilitates air circulation in the shoe, which makes the foot less tired and sweaty. Perfect for sports, work and hiking shoes.

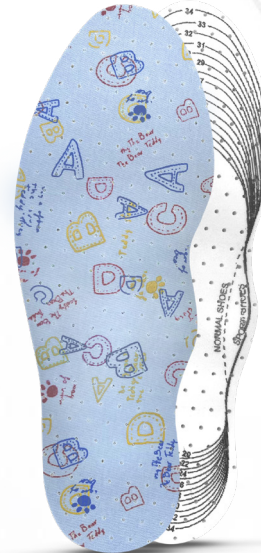
Aloe Vera

Refreshing with aloe vera



Fresh fragrance insole containing aloe vera extract. Thanks to elastic latex and a soft, pleasant-to-touch textile coating it provides exceptional comfort. Aloe vera has medicinal properties. It reduces pain and inflammatory reaction, accelerates skin healing, stimulates its growth and repair. The perforation and the longitudinally profiled shape of the latex force the air to circulate. Excellent insole for weekend shoes, for spring and summer.

Latex ABCD



Latex foam insoles covered with fabric. They absorb and evenly distribute any pressures created during movement. Perforation of latex improves air circulation in the shoe. For all types of shoes. Remember to provide appropriately loose footwear to ensure the proper development of the child's foot.

Antiseptic Sanitized



Made of latex foam using Sanitized technology, thanks to which the insole has antifungal and bacteriostatic properties (inhibits the reproduction of bacteria). It is covered with fabric. Perforated.



- 1 FABRIC
- 2 FOAM PUR

Code: 665/106
Sizes: 36-39, 40-43, 44-47

Thickness: ≈2-4,5 mm
1 pair



- 1 FABRIC ALOE VERA
- 2 LATEX

Code: 665/11
Sizes: 36-46

Code: 665/11/99C
Sizes: 36-46

Code: 665/11/19-35/99
Sizes: 19-35

Thickness: ≈3 mm
1 pair



- 1 FABRIC
- 2 LATEX
- 3 LATEX

Code: 665/175/19-35/99
Sizes: 19-35

Thickness: ≈3 mm
1 pair



- 1 FABRIC
- 2 LATEX
- 3 LATEX

Code: 665/14
Sizes: 35/36-45/46

Thickness: ≈3 mm
1 pair

Cool & Fresh

Refreshing on foam



Made of latex foam, covered with a special fabric of thermoactive polyester fibers, which performs the task of ventilation and maintaining a dry skin surface. Technology patented in the USA. It gives a pleasant feeling of freshness, keeping moisture away from the foot. The innovative combination of materials supports cushioning by preventing foot and spine pain. Perforated, soft and elastic. Improves comfort and air circulation in footwear. Perfect for people suffering from increased sweating of the feet. Hemmed. Can be washed by hand at 30 degrees Celsius.

Airflow Prime

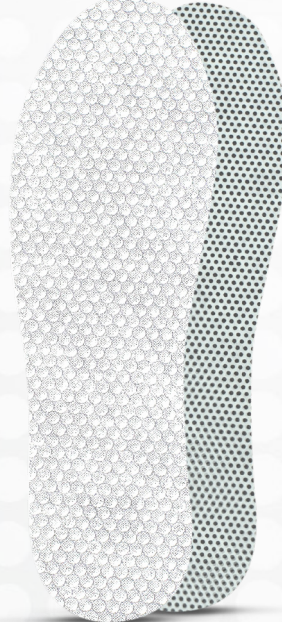
Latex on eva foam



This composite sanitary insole rests on a waffle-structured EVA foam grid. It protects the foot from moisture in the footwear and allows air to circulate. It absorbs and reduces pain in the feet, legs and back. It allows you to move without unpleasant discomfort. Keeps your feet fresh thanks to the latex coating with sanitized fabric. Antibacterial material reduces perspiration and fights microorganisms. Very massive. For loose work shoes, Wellington boots, etc.

Refresh

Refreshing



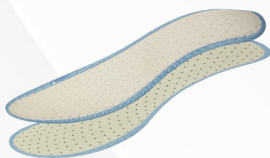
The Refresh insole neutralizes unpleasant odours, protects shoes from moisture and gives a pleasant feeling of comfort all day long. Extremely thin hygienic insole made of viscose non-woven fabric. It's coated with an acrylic resin layer with printed pattern. The non-slip backing layer keeps the insole in place. Long-lasting fresh lemon scent. Recommended especially for summer. The package contains 8 pairs of insoles for 8 weeks.

Refresh Extra

Extra refreshing



Thin, extremely lightweight cellulose fibre insole. It contains refreshing capsules with essential oils, which gives you a feeling of comfort throughout the day. The refreshing effect lasts 5-7 days. The feet do not overheat or cool down; they remain dry and fresh. Non-slip backing keeps the insole in place. Recommended especially in summer or for sports shoes.



- 1 FABRIC
- 2 LATEX

Code: 665/141 (trimmed)
Sizes: 36-46

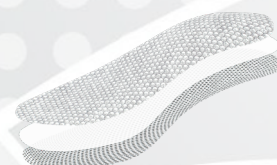
Thickness: ≈3 mm
1 pair



- 1 FABRIC SANITIZED
- 2 LATEX
- 3 FOAM EVA

Code: 665/19
Sizes: 36-46

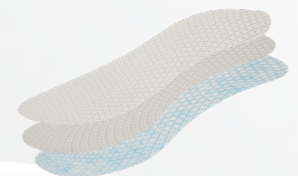
Thickness: ≈8 mm
1 pair



- 1 ACRYLIC
- 2 VISCOSE
- 3 NON-SLIP BOTTOM

Code: 665/20
Sizes: 36-38, 39-41, 42-43, 45-48

Thickness: ≈1,4 mm
8 pairs



- 1 FABRIC
- 2 CELLULOSE
- 3 STIFFENING LAYER

Code: 665/21
Sizes: 36-38, 39-41, 42-44

Thickness: ≈1,1-1,2 mm
3 pairs

Comfort Sport

Foot comfort



Recommended for feet with health issues, including sensitive feet. The polyester fabric coating ensures durability and a feeling of dryness during its use. VISCO FOAM, VISCO LATEX and BREATHABLE FOAM – create a “memory” material that returns to its original shape with a one-second delay after the pressure has ceased. Super-soft comfort effect – envelops the foot, naturally assuming its shape.

Memory Comfort

Memory foam



It perfectly absorbs micro-shocks thanks to a thick layer of MEMORY FOAM. It protects joints and bones and removes leg fatigue. The soft-touch outer layer ensures comfort of use. Recommended especially for people performing work in a standing position and for sports shoes. For loose fit shoes.

Actifresh Premium

Antibacterial



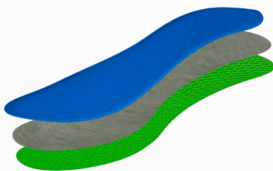
Fresh-scented antibacterial insole. Actifresh consists of three layers: viscose outer fabric, latex foam with antibacterial agent, preventing the growth of microorganisms in the moist and warm environment of the shoe, and anti-slip latex foam with diamond texture. Perforation ensures air circulation, which gives a sense of comfort. Especially recommended for sports, hiking and home shoes. Washable in lukewarm water.

Daily

Profiled with aloe vera



Anatomically shaped latex insole with a fresh scent, containing aloe vera extract. Soft, resilient and contoured to the shape of the foot, it provides exceptional comfort. The aloe vera contained in the textile coating has healing properties. It reduces pain and inflammatory reaction, accelerates skin healing, stimulates its growth and repair. The perforation and the longitudinally profiled shape of the latex force the air to circulate. The insole is quite thick, recommended for loose shoes.



- 1 FABRIC
- 2 FLEXIBLE FOAM
- 3 LATEX SHOCK ABSORBER

Code: 665/26
 Sizes: 35/36-45/46
 Sizes: 35/36-45/46

Thickness: ≈5 mm
 1 pair



- 1 FABRIC
- 2 MEMORY FOAM

Code: 665/27
 Sizes: 36-46

Thickness: ≈6 mm
 1 pair



- 1 FABRIC
- 2 LATEX
- 3 LATEX

Code: 665/29
 Sizes: 36-46
 Code: 665/29/99C
 Sizes: 36-46

Thickness: ≈3,2 mm
 1 pair



- 1 FABRIC
- 2 LATEX
- 3 LATEX

Code: 665/71
 Sizes: 35/36-45/46

Thickness: ≈7,3 mm
 1 pair

Dynamic

Preventive hygienic



Insole made of latex foam, profiled for longitudinal arching of the foot. Covered with Sanitized latex foam with a top layer of viscose fabric. It has bacteriostatic properties. Perfect for sports shoes, hiking shoes and sneakers. It absorbs and evenly distributes any pressures created during movement.

Sport Sanitized

Shock-absorbing and bacteriostatic



Made of white felt profiled to match the arch of the foot and a latex foam based on it in the Sanitized technology, providing the insole with antifungal and bacteriostatic properties. Insole anatomically shaped to match the arch of the foot, extremely lightweight, ideal for hiking and sports shoes. Improves correct positioning of the foot in the shoe. It evenly distributes the pressure over the entire sole, cushions micro shocks and prevents foot pain.

Sport Ultra & Active Carbon

Sports with activated carbon



Made of latex foam with activated carbon and spacer fabric with a special, layered structure in the form of a mesh. Thanks to the spacer fabric, the insole will return to its original position after each pressure. It ensures good air circulation between its layers and reduces humidity in the shoe. Soft latex, profiled from the bottom, provides comfort, and the activated carbon contained in it absorbs unpleasant odours.

Polar on Latex

Fleece on latex



Comfortable thermal insulation insole on a layer of perforated latex with a diamond texture from the bottom. Coated on top with a layer of fleece for warmth. It has hygienic properties. Pleasant to the touch. Fleece, thanks to its unique properties, provides effective insulation both from the cold, creating the impression of "heating" the foot, and from moisture. The insole is recommended for all types of shoes in autumn and winter, as it is extremely comfortable, very warm, durable and aesthetic.



- 1 FABRIC
- 2 LATEX
- 3 LATEX

Code: 665/72
Sizes: 35-46

Thickness: ≈7,5 mm
1 pair



- 1 FABRIC
- 2 LATEX
- 3 FELT

Code: 665/73
Sizes: 36-47

Code: 665/73
Sizes: 24-35

Thickness: ≈4 mm
1 pair



- 1 FABRIC
- 2 LATEX

Code: 665/74
Sizes: 36-46

Code: 665/741/03 (trimmed)

Code: 665/743 (trimmed)
Sizes: 36-47

Thickness: ≈4 mm
1 pair



- 1 POLAR FABRIC
- 2 LATEX
- 3 LATEX

Code: 665/18
Sizes: 36-46

Code: 665/18/99C

Sizes: 36-46

Code: 665/18/19-35/99

Sizes: 19-35

Thickness: ≈4,5 mm
1 pair



Polar on Latex Slim

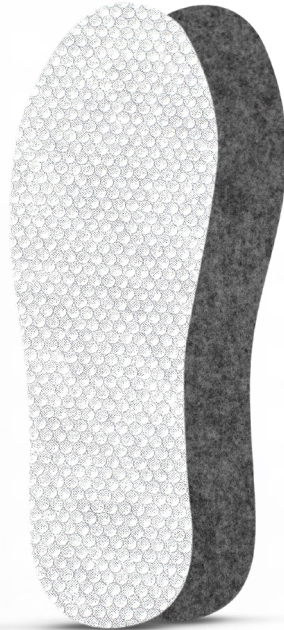
Fleece on thin latex



Comfortable thin thermal insulation insole on a layer of latex. Coated on top with a layer of fleece for warmth. It has hygienic properties and is extremely pleasant to the touch. Fleece, thanks to its unique properties, provides effective insulation both from the cold, creating the impression of heating the foot, and from moisture. Comfort insole, albeit thin (approx. 4 mm), very warm, durable and aesthetic. Thanks to its small thickness, it will fit even well-fitting footwear.

Refresh Winter

Winter refreshing



Felt insulation insole covered with a refreshing layer of cellulose fibres. A combination of thermal and hygienic comfort. The felt layer insulates the feet from the cold sole, but also acts as cushioning and relieves the joints of the feet and knees during work or prolonged standing. Perfect for winter work boots.

Merino Wool



The outer layer is made of 100% merino sheep wool, which thanks to its natural thermoactive and ventilation properties gives you a feeling of pleasant warmth and freshness. The bottom, stiffening layer of the insole, additionally insulates and fits perfectly to the lining of the shoe, preventing it from rolling up and moving in the shoe. The insoles provide warmth and pleasantly relax tired feet.

Aluminium Premium

Aluminiowa Premium



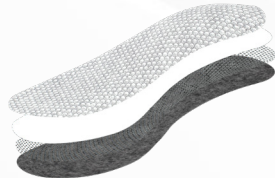
Thermal insulation insole. It is characterized by quilting over the entire surface, significantly extending its service life. A special non-slip aluminium foil holds the insole in place. A layer of natural felt on the foam provides excellent insulation against moisture and cold. Aluminum keeps the heat in the shoe by reflecting it back into the inside of the shoe.



- 1 POLAR FABRIC
- 2 LATEX
- 3 LATEX

Code: 665/182
Sizes: 35/36-43/44

Thickness: ≈3,5 mm
1 pair



- 1 ACRYLIC
- 2 VISCOSE
- 3 NON-SLIP BOTTOM
- 4 FELT

Code: 665/219
Sizes: 36-38, 39-41, 42-44

Thickness: ≈2,5 mm
1 pair



- 1 WOOL MERINO
- 2 STIFFENING LAYER

Code: 665/42 (trimmed)
Sizes: 36-46

Thickness: ≈4 mm
1 pair



- 1 WOOL
- 2 POLYURETHANE
- 3 ALU FOIL

Code: 665/43
Sizes: 36-46

Code: 665/43/19-35/99
Sizes: 19-35

Code: 665/43/47-50
Sizes: 47-50

Thickness: ≈4 mm
1 pair



Wool on Latex

Premium wool over latex



Double-layer insole made of wool, with bottom made of latex foam, extremely comfortable and very warm. A combination of comfort and warmth dreamed of by everyone, who suffers from cold feet. Due to the thickness of the insole, it is recommended to buy shoes half to full size larger than summer and spring shoes.

Aluminium Silver

Insulating with aluminium



Thermal insulation insole. A four-millimeter layer of felt insulates the feet from the cold sole, and at the same time gives a sense of comfort through natural cushioning. It prevents foot and spine pain. In addition, aluminum prevents heat loss by reflecting it back into the shoe. The non-slip aluminium foil holds the insole in place.

Wool Aluminium Extra

Wool on extra aluminium



Thermal insulation insole, three-layer, providing exceptional warmth, preventing its loss and insulating against moisture. A special non-slip aluminium foil holds the insole in place. Recommended for people with poor blood circulation, susceptible to colds and those with cold feet. In case of winter shoes it is recommended to select shoes half to an entire size larger than summer and spring shoes.

Alu Comfort

Aluminum on latex



4-layer thermal insole. The insulation layer is quilted sheep wool (100%), under it there is a layer of aluminum foil to maintain the temperature. Bottom layer – latex foam with activated carbon absorbs unpleasant odors, and a waffle-shaped profile prevents the insole from sliding. The innovative combination of materials, in addition to protecting the feet from the cold, supports cushioning, preventing foot and spine pain.



- 1 WOOL
- 2 LATEX

Code: 665/45
Sizes: 36-46

Thickness: ≈4 mm
1 pair



- 1 FELT
- 2 ALU FOIL

Code: 665/46
Sizes: 36-46

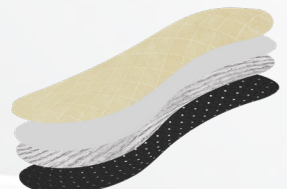
Thickness: ≈4 mm
1 pair



- 1 WOOL
- 2 POLYURETHANE
- 3 ALU FOIL

Code: 665/47
Sizes: 36-46

Thickness: ≈4 mm
1 pair



- 1 WOOL
- 2 LATEX
- 3 ALU FOIL
- 4 LATEX

Code: 665/48
Sizes: 36-46

Thickness: ≈4 mm
1 pair

Alu Thermo Shaggy

Delicate insulation insole



An insole with a soft-touch top layer ensures comfort of use. Multi-layer design provides both softness (latex) and thermal protection (aluminum). Thanks to the lower non-slip surface, it lies firmly in the shoe and does not slide when walking. Designed in particular for footwear with TEX membrane.

Multilayer Thermo Thin

Multilayer thermal insulation insole



Extremely thin multilayer insole. It contains two layers of cushioning foam, divided by a layer of aluminum. The upper non-woven fabric softly wraps the feet and increases the comfort of use. The non-slip layer prevents the insole from sliding in the shoe.

Cork & Latex Active Carbon

Cork covered with activated carbon containing latex



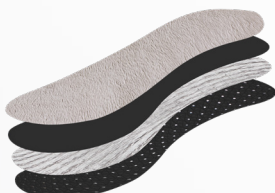
Made of natural cork and latex with activated carbon. Soft latex foam for walking comfort. The carbon fibre contained in the insole with absorbent properties absorbs odours, providing the foot with a feeling of freshness. The cork layer creates an additional thermal insulation and cushioning coating. Recommended for heavy foot loads, e.g. in case of overweight, standing or walking on hard ground. Trimmed.

Linen & Cork

Linen on cork



Lightweight insole made only of natural materials: cork sourced from the bark of cork oak, which provides thermal insulation and cushioning, has antistatic and hypoallergenic properties, regulates the microclimate of the shoe interior and the layer of natural linen that comes into contact with the foot. Perfect for spring, summer and autumn, for all kinds of footwear. Lightweight, thin and durable. Can be washed (by hand). Trimmed.



- 1 FABRIC
- 2 LATEX
- 3 ALU FOIL
- 4 LATEX

Code: 665/481
Sizes: 35/36-45/46

Thickness: =4 mm
1 pair



- 1 FABRIC
- 2 LATEX
- 3 ALU FOIL
- 4 LATEX

Code: 665/86
Sizes: 35/36-45/46

Thickness: =2 mm
1 pair



- 1 FABRIC
- 2 LATEX
- 3 CORK

Code: 665/31 (trimmed)
Sizes: 35/36-45/46

Thickness: =3,8 mm
1 pair

*available in a minimal order of 500 pcs



- 1 LINEN FABRIC
- 2 CORK

Code: 665/32 (trimmed)
Sizes: 35/36-45/46

Thickness: =2,5 mm
1 pair

Frotte Bamboo & Coconut

Bamboo-coconut



Made of coconut shell fibre, covered with terry cotton with bamboo fibre content and hemmed. Coconut fibre is a natural material, very breathable due to its structure (compressed fibres), flexible, and at the same time rigid and extremely durable, when it comes to withstanding pressure, friction and bending. Recommended for people, who are overweight and those making intensive use of their footwear. It provides extraordinary comfort, especially when walking or standing for a long time. It also significantly reduces the risk of unpleasant odours. Suitable for hand washing. Trimmed.

White Frotte

White terry cloth



White latex foam and natural cotton terry cloth insole. Soft, flexible, perforated, significantly improves comfort and air circulation in footwear. Recommended especially for short and intense exercises and with significant foot load, e.g. in case of overweight, standing work or walking on hard ground. Perfect for everyday use in summer without socks, as well as for hiking and sports shoes. Hand washable.

Latex Yellow & Green

Yellow-green latex



Insole made of two types of perforated latex covered with viscose: green with a diamond texture. Provides cushioning. Soft, yet very durable. Thanks to perforation, it ensures air circulation and allows your feet to breathe freely, giving you a sense of comfort. Recommended especially for sports shoes. Can be hand-washed in cold water.

Antiperspirant Perforated

Perforated antiperspirant with activated carbon



Insole made of perforated all-over latex foam containing activated carbon fibre. Perforation improves air circulation in the shoe. Carbon fibre absorbs unpleasant odours and also binds microbes, giving the foot a feeling of freshness. Covered with a thin fabric. Delicate and soft.



- 1 BAMBOO TERRY
- 2 FLEXIBLE FOAM
- 3 COCONUT FIBER

Code: 665/44 (trimmed)
 Sizes: 35/36-45/46

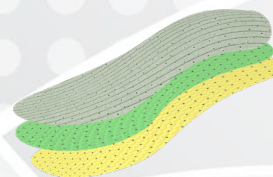
Thickness: ≈3,5-4,5 mm
 1 pair



- 1 FABRIC
- 2 LATEX

Code: 665/131
 Sizes: 34-41, 42-46

Thickness: ≈3,2 mm
 1 pair



- 1 FABRIC
- 2 LATEX
- 3 LATEX

Code: 665/15
 Sizes: 35/36-45/46
 Code: 665/15/47-50
 Sizes: 47-50

Thickness: ≈3,2 mm
 1 pair



- 1 FABRIC
- 2 LATEX

Code: 665/17
 Sizes: 36-46
 Code: 665/17/99
 Sizes: 36-46
 Code: 665/17/19-35/99
 Sizes: 19-35
 Code: 665/17/47-50
 Sizes: 47-50

Thickness: ≈3,3 mm
 1 pair

Felt



Made of felt, simple, lightweight, perfectly insulating the foot from the cold. It provides the right temperature for the feet, and by lining the bottom of the shoes, it prevents chafes and damage to the lining. The softness of felt also improves the comfort of shoes. Recommended for autumn and winter footwear, work shoes and home slippers. It should be replaced regularly.

Thick Felt



The insole is made of grey felt with a thickness of 6 to 7 mm. Perfect for quite loose winter shoes, wellingtons and work shoes. In addition to excellent insulation of the foot against cold, they prevent foot and spine pain through natural cushioning. They should be replaced regularly, especially with intensive use of footwear.

Impregnated Felt



Insole made of felt that effectively insulates the foot from the cold. It lines the bottom of the shoes thoroughly and prevents chafing. Special tabs on the underside of the insole additionally protect it from displacement and isolate it from the damp lining. The softness of the felt ensures walking comfort.

Italian Felt



Made of white or black felt with special rubber tabs on the bottom. By lining the bottom of the shoes the insole prevents chafing and insulates the foot from the ground. Rubber tabs protect the insole from movement and insulate from damp lining. The softness of the felt improves shoe comfort. Recommended for loose early spring, autumn, winter, work and winter shoes. It should be replaced regularly.



1 FELT

Code: 665/80
Sizes: 36-46

Code: 665/80/47-50
Sizes: 47-50



Thickness: =4 mm
1 pair



1 FELT

Code: 665/89
Sizes: 36-46

Thickness: =6-7 mm
1 pair



1 FELT
2 FELT WITH RUBBER

Code: 665/81
Sizes: 36-46

Code: 665/81/19-35/99
Sizes: 19-35

Code: 665/81/47-50
Sizes: 47-50



Thickness: =4-4,2 mm
1 pair



1 BLACK FELT
2 FELT WITH RUBBER

Code: 665/82
Sizes: 35/36-45/46

Thickness: =3,2 mm
1 pair



Leather & Latex

Leather & Cork

Peccary & Latex

Peccary & Cork

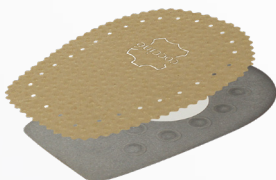


Made of two layers: soft, latex foam and natural leather. It protects sensitive, painful heels. Recommended when changing high-heeled shoes to flat ones. It absorbs shocks. Self-adhesive.

Made of two layers: cork and natural leather. It lifts the heel in the shoe. Protects against chafing. Especially recommended when changing high-heeled shoes to flat ones or having to adjust the height of the heel to the foot.

Made of soft, latex foam. Finished with delicate - a la peccary sheepskin. It protects sensitive, painful heels. Particularly recommended when changing high-heeled shoes to flat ones. Self-adhesive.

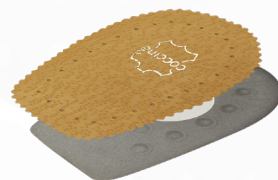
Made of natural cork. Finished with delicate sheepskin. By raising the heel in the shoe, it protects it from abrasion. It absorbs shocks. Particularly recommended when changing high-heeled shoes to flat ones. Self-adhesive.



- 1 LEATHER
- 2 LATEX



- 1 LEATHER
- 2 CORK



- 1 LEATHER
- 2 LATEX



- 1 LEATHER
- 2 CORK

Code: 665/94 ●●
 Sizes: S, M, L, XL

Thickness: ≈2,6-12 mm
 1 pair

Code: 665/91 ●●
 Sizes: S, M, L, XL

Thickness: ≈2,5-10 mm
 1 pair

Code: 665/941
 Sizes: S, M, L, XL

Thickness: ≈2-11 mm
 1 pair

Code: 665/97
 Sizes: S, M, L, XL

Thickness: ≈2,5-8 mm
 1 pair

Cork



Made of natural cork. Improves the position of heel, protects it from abrasion. Absorbs pressures, securing additional protection from moisture. Particularly recommended, when changing from high heels to flat sole. Self-adhesive.

Cork & Latex



Perforated latex foam on natural cork. Improves the position of the heel, protects it against abrasion. It absorbs pressure, additionally insulates against moisture. Particularly recommended when changing high-heeled shoes to flat ones. Self-adhesive.

Gel Anatomic



Made of soft, profiled elastic and transparent gel. It protects sensitive heels and cushions shocks when walking. It doesn't move in the shoe.

Gel Air



Made in gel technology, with a system channels. It provides heels with excellent comfort and a feeling of relaxation. It does not move in the shoe, it is very durable. Can be washed under running water.



- 1 CORK
- 2 STICK

Code: 665/93
Sizes: S, M, L, XL

Thickness: ~2-7,5mm
1 pair



- 1 FABRIC
- 2 LATEX
- 3 CORK
- 4 STICK

Code: 665/92
Sizes: S, M, L, XL

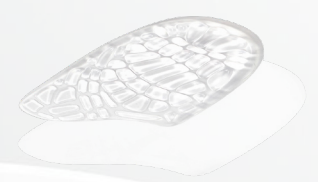
Thickness: ~2,5-8 mm
1 pair



- 1 GEL
- 2 PROTECTIVE FILM

Code: 665/16/93C
Sizes: S/M

Thickness: ~ 2-5 mm
1 pair



- 1 GEL
- 2 PROTECTIVE FILM

Code: 665/16/92C
Sizes: S/M

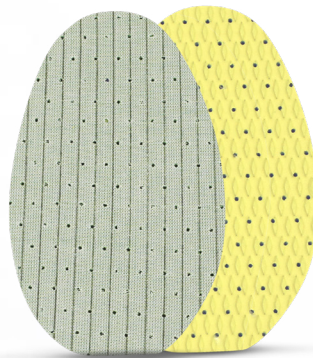
Thickness: ~ 2-4 mm
1 pair

Leather & latex

Peccary & latex

Latex

Leather & Latex



Made of latex foam, finished with natural leather. It effectively helps to adjust the footwear to non-standard sizes of the foot. It eliminates the discomfort of too thin sole or sensitive foot (in the front of the shoe). In addition, it insulates from the cool sole. It is especially recommended for high-heeled shoes.

Latex foam finished with elegant sheepskin. It helps to adjust the footwear to non-standard sizes of the foot. Effective when the sole is too thin. In addition, it insulates. It is especially recommended for high-heeled shoes.

Made of two types of perforated latex, covered with viscose. Soft and very durable. It effectively helps to adjust the footwear to non-standard sizes of the foot. It eliminates discomfort resulting from too thin sole or sensitive feet. Especially recommended for high-heeled shoes.

Made of natural leather and soft, flat piece of latex. It inhibits the slipping of the foot in shoes, reduces the pressure on the toes. Recommended for midfoot pain and for high-heeled shoes. Self-adhesive.



- 1 LEATHER
- 2 LATEX
- 3 STICK

Code: 665/62 ●●
 Sizes: S-M, L-XL*

Thickness: ≈2,6 mm
 1 pair

*available in a minimal order of 500 pcs

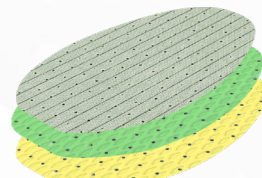


- 1 LEATHER
- 2 LATEX
- 3 STICK

Code: 665/64
 Sizes: S-M, L-XL*

Thickness: ≈2,8 mm
 1 pair

*available in a minimal order of 500 pcs

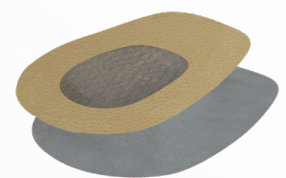


- 1 FABRIC
- 2 LATEX
- 3 LATEX

Code: 665/60
 Sizes: S-M, L-XL*

Thickness: ≈3 mm
 1 pair

*available in a minimal order of 500 pcs



- 1 LEATHER
- 2 LATEX
- 3 STICK

Code: 665/69 ●●
 Sizes: Uniwersalny / Universal

Thickness: ≈2-6 mm
 1 pair

Peccary & Latex

Adhesive Gel Stoppers

Gel Stopper Ultrathin

Goat Leather & latex



Made of sheepskin with a peccary finish and a soft, flat piece of latex. It inhibits the foot sliding forward of the shoe and reduces the pressure on the toes. Self-adhesive.



Made of soft, resilient, transparent gel. Recommended for high-heeled shoes. They prevent the feet from sliding and cushion the pressure on the toes. To be applied on a clean and degreased surface of your footwear.



Ultra-thin (approx. 1.2 mm), self-adhesive, made of elastic, transparent gel. Invisible in footwear. Recommended for high-heeled, exposed and tight-fitting shoes.



Made of natural goat leather and soft, elastic latex foam. Recommended for shoes with too stiff or too high heel, protects the heel from abrasion, and prevents the foot from slipping out of the shoe. Self-adhesive.



- 1 LEATHER
- 2 LATEX
- 3 STICK

Code: 665/67
Sizes: Universal

Thickness: ≈2-6 mm
1 pair



- 1 GEL
- 2 STICK

Code: 665/68/2
Sizes: Universal

Thickness: ≈ 3 mm
1 pair



- 1 GEL
- 2 PROTECTIVE FILM

Code: 665/68/3
Sizes: Universal

Thickness: ≈ 1,2 mm
1 pair



- 1 LEATHER
- 2 LATEX
- 3 STICK

Code: 665/90C ●●
Sizes: Universal

Thickness: ≈2,6 mm
1 pair

Velour Heel Protector



It protects the feet from abrasion and slipping off the heels, improves the fit of the shoes, prevents foot abrasions. Recommended especially for new shoes with hard heels and for shoes that are too loose. Attached to the inside of the shoe.

Repair Heel Protector

Protective and repair heel counter



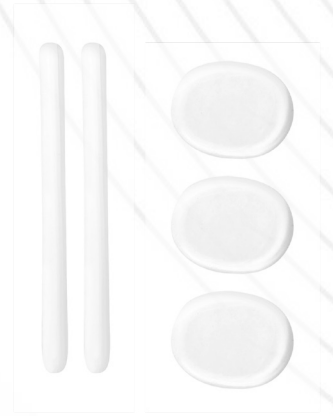
Attached to the inside of the shoe, recommended especially for shoes with damaged back parts. It protects the feet from abrasion, improves the fit of the shoes and protects against further destruction of the heel part of the shoes. Natural velvet leather with adhesive layer.

Gel Heel Protectors

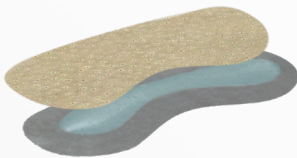


Self-adhesive, made of soft, resilient gel, invisible in shoes. Recommended for shoes with too stiff, too high heel, protects the heel from abrasion.

Gel Protectors



A set of self-adhesive patches and strips made of soft, resilient gel. Recommended for high-heeled shoes, they protect the feet from the pressure of straps and thick seams and rivets. Apply to a dried and degreased surface.



- 1 FABRIC
- 2 LATEX
- 3 STICK

Code: 665/90/05C
Sizes: Universal

Thickness: ≈2,6 mm
1 pair



- 1 FABRIC
- 2 LATEX
- 3 STICK

Code: 665/90/07C
Sizes: Universal

Thickness: ≈ 1 mm
1 pair



- 1 GEL
- 2 STICK

Code: 665/90/03
Sizes: S/M
Code: 665/90/04
Sizes: L/XL

Thickness: ≈2,6 mm
1 pair



- 1 GEL
- 2 STICK

Code: 665/16/801C
Sizes: Universal

Thickness: ≈ 2 mm, 3 mm
5 pieces (2 strips, 3 patches)

ACCESSORIES

Shoe cleaning, care or maintenance requires appropriate preparations, but also the right tools for every type of leather and material: cleaning brushes, polish brushes, polishing cloths, trees to keep shoes in shape. You will find them all in the Coccine offer along with a wide range of accessories for everyday shoes, such as shoehorns for easy putting on shoes, shoe laces, care sets and even crampons, making it easy to walk in difficult winter weather conditions.



SUEDE & NUBUCK

Nubuck Sponge

Sponge for nubuck



A rough sponge for cleaning suede and nubuck shoes. It removes coarse dirt (dried mud, sand) without destroying the characteristic texture of the suede surface. In convenient packaging with profiled handle for even more convenient use and storage.



a) Code: 55/08/01
box: 12 pcs

b) Code: 55/08/02
box: 60 pcs

Suede & Nubuck brush



The suede and nubuck brush has two active sides: the rubber side is used to remove deeply embedded and glued dirt, while the nylon-copper bristle is used to brush out dust, dirt and align the nap. Also available in a variant with a cleaning cube (c) for wiping fixed dirt (it works like a pencil eraser). Be careful not to pull out the nap when cleaning.

a) Code: 621/6 
 c) Code: 621/16 
 Size: 16 cm
 box: 12 pcs

b) Code: 621/6/02/0 
 Size: 16 cm
 box: 10 pcs

Nubuck triangle 3w1



Special 3-in-1 brush for cleaning and restoring suede and nubuck leather items. Three active edges: rubber crepe to collect from sand and coarser dirt from the shaggy leather texture; a copper brush that picks up deeply rubbed dirt, and a nylon brush to comb the suede structure; a suede cube perfectly wipes fixed dirt from shoes. It will also help you clean your suede bag, gloves, jacket.

Code: 621/61
 Size: 7 cm
 box: 180 pcs

Cleaning Cube

Eraser for suede



Similar function to a pencil eraser. Simply sticks and removes dirt from the nubuck and suede hair.

Code: 620/1
 Size: ≈2 x 5 x 4 cm
 box: 44 pcs

Crepe brush for suede & nubuck

Crepe brush for suede and nubuck



The nubuck rubber crepe brush is a unique design, made up of multiple stiffened blades that effectively clean suede or nubuck without destroying its original surface.

We can also engrave the brushes with a personalized customer logo.

Code: 621/7C
 Size: 12,5 x 4,2 cm
 box: 12 pcs

Shoe brush for wax application

Polishing brush

Polishing brush

Horse hair polishing brush



Classic brushes for applying and distributing classic shoe polish. They differ in the finish of the wood and the type of bristles. A hole may be drilled in the handle for easy hanging and storage of the brush (a).

We can also engrave the brushes with a personalized customer logo.



Brushes for polishing are of different sizes, shapes, different wooden finishing and hair composition. The brush usually has mixed hair – natural horse hair mixed with a synthetic one. Wood can be stained dark colours and painted or stained light colours and unfinished, 100% horsehair.

Personal logo service.



Comfortable shoe cleaning and polishing brush. The wooden handle made of light, waxed wood was carved into a handy shape of a foot. Thanks to this, the brush gained an aesthetic appearance, and the shoe cleaner was given a tool that ergonomically aids them in performing dynamic, circular cleaning or polishing of shoes.



Comfortable and easy to use durable brush with 100% horse hair bristles. Very thick and soft. Invaluable when your shoes need to be cleaned. Moreover, wood handle protects your hands against dirt. Made of premium selected materials, it keeps its properties for a long time. We recommend using it with our COCCINE and COCCINE HOMELINE products.

Personal logo service.

a) Code: 621/11/1
b) Code: 621/11
c) Code: 621/111
Size: 16 cm
box: 12 pcs

a) Code: 621/15
b) Code: 621/12
Size: 16 cm
box: 10 pcs
c) Code: 621/3
d) Code: 621/2
Size: 12 cm
box: 10 pcs

a) Code: 621/5
Size: 6 cm
box: 10 pcs
b) Code: 621/5/1
Size: 8 cm
box: 10 pcs

Code: 621/02
Size: 17 cm
box: 10 pcs

Cleaning Cloth



Soft cotton cloth for cleaning grain leather: footwear, haberdashery, clothing, furniture and leather upholstery. Absorbent and delicate. When cleaning with Coccine Premium cleaning foams or Leather Soap – please always remove excess detergent with dirt using a damp cotton cloth. Rinse well in warm water after each use. Machine washable.

Code: 620/851
Size: ≈30 x 35 cm
box: 100 pcs

Polishing Cloth



Polyester fabric for polishing leather items - shoes, furniture, clothing, as well as wooden furniture after using wax preparations - creams and pastes. Polishing of objects after applying waxes in the form of creams and pastes is most effective when the surface temperature rises under the influence of friction. These movements should be vigorous.

Code: 620/852
Size: ≈18 x 18 cm
box: 100 pcs

Clever Glove



Comfortable to use soft shoe polishing glove. Gives shine to leather shoe surfaces and protects your hands from dirt. It is very durable - if washed and properly stored it is suitable for repeated use. For the best shine, use it after pre-polishing with a polishing brush.

Code: 620/10/02
Size: universal
box: 76 pcs

Clever Glove Exclusive



Comfortable soft glove with active surface made of original wool bristles. It gives shine to even the most neglected leather surfaces and protects hands from dirt. Convenient for storage and transport – it is easy to roll up and tie like a small wallet.

Code: 620/854
Size: universal
box: 150 pcs

Cleaning Sponge



Cleaning sponge for leather and synthetic leather items - shoes, bags, clothing, furniture, car upholstery. This thick polyester foam cube is perfect for pairing with Cocciné Premium cleaners or Leather Soap from the Cocciné Home Line. Reusable sponge, after each use, rinse it well under warm running water, squeeze and leave to dry.

Code: 620/853
 Sizes: 105x60x50 cm
 box: 32 pcs

Non-Skid Sole



Rubber outsole made of self-adhesive, vulcanized rubber, to be glued on a leather or faux leather soles - prevents sole slipping and excessive wear.

Code: 665/99
 Sizes: S/M, L/XL
 box: 280 pcs

Perfect heel

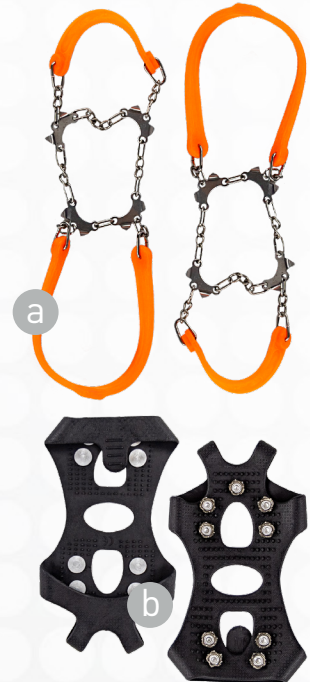


Durable, transparent film for heels. Protects against abrasions and scratches. Especially useful on special social occasions, when we want to reach the end of the event in elegant footwear despite all the hustle and intense fun. The film is easy to apply and remove. It helps to protect the colour and great look. The package contains two sticker sheets (for 2 pairs of heels) and two Clean Wipes.

Code: 665/901/01C
 box: 120 pcs

Raki / Crampons

Chain crampons
 Snow and ice spikes



a) Ice spikes for excellent grip on slippery surfaces. High resistance to low temperatures: -40°C

b) Lightweight spikes that are convenient to transport, installed on a flexible, resilient plastic with high thermal and chemical resistance. For daily winter walking on snow or ice.

a) Code: 620/13
 Sizes: M, L
 b) Code: 620/12
 Sizes: S, M, L

Shoe shine box



Wooden box for footwear products and accessories. Composition to be made according to the customers needs. In the standard composition Mini set consists of basic cosmetics and Maxi set includes 12 different products for all seasons.

Code: 620/2
Size: 25x18x12 cm
box: 4 pcs

Travel kit



The Cocciné Travel Kit that will allow you to quickly and easily restore the original shine of your shoes. The practical and easy-to-transport packaging contains products that protect shoes against unwanted external factors. The perfect solution for people who value practicality, versatility and convenience.

Code: 620/4/01
box: 25 pcs

Gift set



The Cocciné Gift Set is a practical set of cosmetics and accessories that can be freely configured from the Cocciné product portfolio. Carefully and elegantly prepared packaging is an important element of the set, allowing you to show products in a unique way. Possibility of choosing a set from several configurations.

Code: 615/
box: 14 pcs

Shoe bags



In your home it protects shoes against dirt and dust, while keeping them clean even after a long time of non-use. Essential in travel - the shoe bag protects your clothes against shoe dirt. Protects shoes against unwanted insects or pests. Designed in a nice color, it fits perfectly in a home wardrobe or drawer with other clothes. A shoe bag is a practical solution to maintain perfect order and cleanliness at home.

a) Code: 620/9/04 (cotton) ●
Size: 22x35 cm

a) Code: 620/9/05 (cotton) ●
Size: 30x40 cm

c) Code: 620/9/07 (polyester) ○
Size: 30x40 cm

HORNS



WOOD

waxed, natural wood



Code: 623/03/380

length: 380 mm

Personal logo service.

TREES



CEDAR

Cedar shoe trees



Code: 624/08

Sizes: 35/36-45/46

Personal logo service.

PLASTIC

METAL

short

medium

long

very long

extra short

short plus

medium

medium plus

long shaped

maxi



Code: 623/01/01

Code: 623/01/02

Code: 623/01/03

Code: 623/01/04

Code: 623/02/160

Code: 623/02/170

Code: 623/02/310

Code: 623/02/450

Code: 623/02/470

Code: 623/02/640

length: 15 cm

length: 20 cm

length: 60 cm

length: 65 cm

length: 150 mm

length: 170 mm

length: 310 mm

length: 450 mm

length: 470 mm

length: 640 mm

Available gold and black colour.

WOODEN

PLASTIC

Wooden shoe trees

Plastic folding shoe trees

Plastic shoe trees

Shoe trees for boots



Code: 624/04

Sizes: 37/38-45/46

Code: 624/03

Sizes: 35-37, 38-40, 40-42, 43-45 foldable

Code: 624/09

Sizes: S/M-L/XL

Code: 624/02/02M











Sizes: 41 cm without handle 32 cm

LACES



Laces are chosen by the number of holes in shoes, their colours and use, way of binding. Men's shoe laces for official visits are usually made of round waxed cotton in colour similar to the colour of shoes with the thickness size 3. Trekking shoes are better fitted for the thickness size 5 or 7, round or flat unwaxed melanges. For textile footwear it is better choose flat laces size 5 or 7 with length adjusted to the number of holes.

How to choose the length:

11+		240 cm
10-11		200 cm
9-10		180 cm
8-9		150 cm
7-8		120 cm
6-7		100 cm
5-6		90 cm
4-5		75 cm
2-3		60 cm
1-2		45 cm

COTTON AND WAXED



High-quality cotton laces by Coccine. Available in regular and waxed versions, in a range of colors suitable for elegant men's and women's shoes. Lengths sufficient even for high-side boots and Chelsea boots with higher sides. Ends secured with aglets.

Code: SZNN (reels)
Code: SZNB (cardboard boxes)



length (cm)	thickness (mm)	width (mm)
45	2, 3	
60	2, 3, 5	
75		
90	2, 3, 5	7
100		
120		
150		
180	2, 5	7
200	2, 3	7
240	5	

POLYESTER



Colorful laces will complement the styling, matching the colour line of shoes and outfit, or as a colourful touch to emphasize your individuality and character. Perfect for sneakers, trainers and other sports shoes.

Code: SZNB (cardboard boxes)



length (cm)	width (mm)
90	7, 8
100	7
120	7, 8
180	14

TREKKING



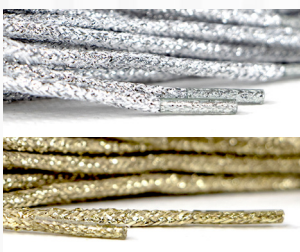
The model of the presented laces has many colour versions and length options, so you can easily select ones that match your trekking shoes. Multiple braided threads ensure the strength of the laces themselves, as well as the durability of tied knots.

Code: SZNT (reels)



length (cm)	thickness (mm)
90	5
120	
150	
180	

METALLIZED



Exclusive accessories for unique shoes for special occasions. Gold or silver laces will add a magical, shiny touch to New Year's Eve outfits, carnival balls or wedding celebrations.

Code: SZNN/M (reels)



length (cm)	thickness (mm)	width (mm)
60	2	
75	2, 3	
90	2, 3	
100	2, 3	7

MELANGE



Shoelaces don't have to be boring. Intertwining colourful lines and checkers on flat shoelaces for sneakers, trainers or weekend shoes will diversify your everyday and holiday outfit.

Code: SZNB (cardboard boxes)

length (cm)	width (mm)
90	7, 8
120	

ECO LINE

Cocciné Eco is a line of cosmetics and shoe insoles designed with nature in mind. We haven't made any compromises. We've created products which are effective, on natural ingredients, biodegradable and environmentally friendly, that are safe for you, your loved ones, the environment and... shoes.





Eco Clean

Universal shoe cleaner



You could have well-maintained, clean shoes regardless of material - leather, textile, suede. You could also wash white edges of the soles with it. Developed on the basis of water and ecological detergents. Safe for your skin as well as for home dwellers. It does not pollute air or water. The package is an aluminum bottle with an atomizer - a spray pump. It does not contain propellant gas but 100% active agent.

Code: 559/472/200

Volume: 200 ml
box: 12 pcs

Eco Deo

Shoe deodorant



Refreshes the inside of a shoe and neutralises unpleasant odours in 4 seconds. Created on the basis of water and safe raw materials, including a fragrance composition of plant origin, which takes care of the purity of the atmosphere, earth and water. The packaging is an aluminium bottle with an atomizer - a spray pump. The packaging contains only the product, not the product-gas mixture. So it lasts longer and costs less. You do not transport gas, you make a smaller carbon footprint.

Code: 559/13/200

Volume: 200 ml
box: 12 pcs

Eco Nubuck

Refreshes suede and nubuck shoes



Brings back new look. Its composition is based on water and safe raw materials. Neutral for your hands and the environment. Net content is 100% refreshing agent, without propellant. This provides greater efficiency, therefore less consumption, less waste and less emissions to the atmosphere.

Code: 559/19/200

Volume: 200 ml
box: 12 pcs
colours:
○ ●

Eco Cream

Care cream for grain leather



Restores shine, colour and glow to the shoes made of grain leather. Developed on the basis of water and environmentally safe ingredients, including natural carnauba wax and shea butter. It is gentle for your skin and environmentally neutral. Packaged in a glass jar with an aluminium cap - it does not litter the ecosystem.

Code: 559/23/100

Volume: 100 ml
box: 12 pcs
colours:
○ ●

Eco Grease

Protective grease for grain leather



Soaking and drying of leather collagen fibres causes their ultimate brittleness and fragility. Lubricating them you protect the leather against wear and tear. You extend the life of your shoes and improve their condition.

It contains ingredients which are harmless to the environment, including beeswax with excellent preservative properties and shea butter which nourishes and regenerates.

ż Packed in a glass jar with an aluminium cap - it does not litter the ecosystem.

Code: 559/21/100

Volume: 100 ml
box: 12 pcs

colour:



Eco Protector

Colourless shoe waterproofer



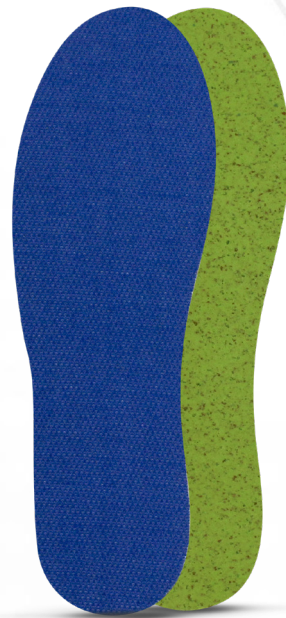
Protects feet and shoe leather from getting wet and soaking. The packaging does not contain any propellant, which increases the emission of gases, and at the same time raises the weight of the product during transport, which therefore increases the carbon footprint. It contains safe waterproofing ingredients, does not contaminate water or soil.

Code: 559/18/200

Volume: 200 ml
box: 12 pcs

Eco Insole Sea & Foot Care

Recycled material



A soft, latex shoe insole that cushions micro shocks and minimizes foot fatigue. It increases walking comfort, reduces the feet load, taking care of leg health. Made of recycled plastic from garbage recovered from the sea (technology certificate 19WJG1SB01). By buying this insole, you take care of your own health and comfort and contribute to the development of modern green technologies. In addition, the insoles are packed in cardboard envelopes suitable for recycling.

- 1 RECYCLED FABRIC
- 2 LATEX

Code: 6659/33
Sizes: 35/36 - 45/46

Thickness: ≈ 3,5 mm
1 pair

Eco Insole Linen on Cork

Linen on Cork



Universal hygienic shoe insole. Made of natural cork, which perfectly isolates from low temperatures and is not a nutrient for fungi. Covered with natural flax, which has excellent bacteriostatic and hygroscopic properties. Both materials do not cause allergies or skin irritation. They are durable, washable and reusable. They are also biodegradable, just like the cardboard packaging of the insoles. By buying these insoles, you take care of your health and go towards "zero waste".

- 1 LINEN FABRIC
- 2 CORK

Code: 6659/32 (trimmed)
Sizes: 35/36 - 45/46

Thickness: ≈ 2,5 mm
1 pair

SNEAKERS LINE

The Cocciné Sneakers Line series are products dedicated to fans of physical activity. The sporty lifestyle was a challenge for us, but we coped perfectly with it and we feel great with it. That is why we have created a series of cosmetics and insoles that will meet the requirements of any active shoe. Do your thing! We will make shoes our responsibility.

Whitener

White color retouch



PL Concealer for white sneakers. Evens and deepens the white color, minimizing minor damage and abrasions. Plastic bottle with applicator. Excellent for grain leather, synthetic leather, shoes made from textile materials, even for damaged insoles.

Code: 557/01/75

Volume: 75 g

box: 12 pcs

Shampoo

Sneakers shampoo



a) Shampoo for sneakers. Cleans textiles, velour and suede. Perfectly cleans also white soles. Use together with absorbent cloth or sponge. Plastic bottle with sponge.

b) Sneaker shampoo in foam. For water-free cleaning of textiles, thick woven fabrics and leather, including velour and suede. It also perfectly cleans white soles. The plastic bottle is closed with a foaming pump. The active foam is easy to apply to a sponge or cloth and will spread evenly over the surface to be cleaned.

a) Code: 557/47/75

Volume: 75 ml
box: 12 pcs

b) Code: 557/050/100

Volume: 100 ml
box: 15 pcs

Cleaning Foam

Sneakers cleaner foam



Universal foam for cleaning shoes made of natural leather, nubuck leather, eco-leather, mesh and combined materials. Also recommended for clothing, backpacks and bags. It effectively cleans dirt and refreshes colour. It leaves no stains.

Code: 557/5472/150

Volume: 150 ml
box: 20 pcs

Inside Cleaner

Sandal shampoo



It removes dirt and dirt accumulated during use, as well as the remains of care products from the lining of sandals. Dermatologically tested.

Code: 557/49/75

Volume: 75 ml
box: 12 pcs

Sole Cleaner

Sole remover



Cleaning liquid for footwear soles. Cleans, cares and gives back original color to white soles of your sneakers. Plastic bottle.

Code: 557/46/125

Volume: 125 ml
box: 20 pcs

Power Cleaner

Stain remover for grease



For dry removal of oil, fat and grease stains from objects made of fabrics and smooth leather, suede nubuck and textiles. The white powder absorbs greasy stains. Just remove it after it dries - the stains disappear.

Code: 557/530/100

Volume: 100 ml
box: 30 pcs

Deo Fresh

Sneakers deodorant



Deodorant with a formula of silver nanoparticles and silica for shoe refreshing. Silver prevents microorganisms proliferation, and silica absorbs odors.

Code: 557/54/150

Volume: 150 ml
box: 20 pcs

Top Care

Sneakers care spray



Shoe care spray for sneakers. Dedicated to a wide range of materials: natural leather, nubuck, eco-leather, breathable mesh and uppers made of mixed materials. It will refresh the look, nourish and protect the uppers. It makes smooth leather shine. On the nubuck and mesh it restores a vivid shade.

Code: 557/531/150

Volume: 150 ml
box: 20 pcs

Water & Dirt Stop

Waterproof protective spray



Waterproofing product for sneakers, which protects against water soaking and settling dust, dirt and stains from liquids. Does not block moisture migration outside, so that your feet do not sweat excessively.

a) Code: 557/58/250

Volume: 250 ml
box: 20 pcs

b) Code: 557/582/400

Volume: 400 ml
box: 12 pcs

Trekking Trace

Profiled trekking insole



Profiled and stiffened, and at the same time very light, support for feet for long hikes. The insole helps to maintain the correct position of the foot on difficult ground. It provides thermal comfort and keeps feet dry. It does not move in a shoe during hikes - minimizes loss of energy on the route of walking or climbing.

Universal Sport

Profiled insole for sports shoes



An insole profiled to the foot arches and stiffened with a heel channel, prevents injuries while doing amateur sports. It stabilizes the foot during rapid changes of direction and supports proper leg biomechanics. It does not lose its properties during use and is suitable for hand washing.

City Comfort

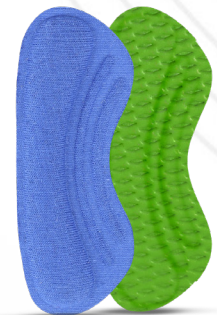
Comfortable sneaker insole



Ideal solution for traditional sneakers with a flat rubber sole. The insole cushions pressure and prevents fatigue in the feet, legs and spine. It softly tucks the foot all day long and returns to its original shape when we take off the shoes. It can be washed and used repeatedly for different shoes.

Universal Comfort Sport

Comfortable heel protection



Unique heel protection during running, playing, sports. The heel counter shields decrease foot fatigue, adjust your footwear to the foot and prevent it from sliding off. The memory foam adjusts its shape to the back of your feet, for the maximum comfort of your sports shoes. Stick onto dry and degreased surface. One universal size.



- 1 POLYESTER FABRIC
- 2 FOAM
- 3 WHITE FELT
- 4 LATEX EVA
- 5 POLYESTER FABRIC

Code: 6657/23
Sizes: 35/36-47/48

Thickness: ≈8 mm
1 pair



- 1 POLYESTER FABRIC
- 2 POLYURETHANE
- 3 FOAM PU (85% RECYCLING)
- 4 POLYURETHANE

Code: 6657/25
Sizes: 36-39, 40-43, 44-47

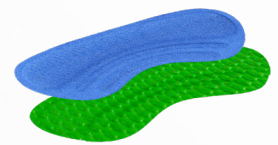
Thickness: ≈5,5 mm
1 pair



- 1 FABRIC
- 2 POLYURETHANE
- 3 FOAM PU (85% RECYCLING)
- 4 FLEXIBLE FOAM

Code: 6657/261
Sizes: 36-39, 40-43, 44-47

Thickness: ≈5-8 mm
1 pair



- 1 FABRIC
- 2 FLEXIBLE FOAM
- 3 LATEX SHOCK ABSORBER
- 4 STICK

Code: 6657/90
Sizes: Universal

Thickness: ≈4,5 mm
1 pair



MANUFACTURER:

DAKOMA

FAMILY COMPANY SINCE 1996

ul. Turystyczna 12
PL 05-462 Wiązowna, Poland
tel. + 48 22 6104509
www.dakoma.eu.com | www.coccine.eu



Follow us on:



facebook.com/Coccine.inspiruje



instagram.com/coccineinspiruje

More about shoe care on the blog:

